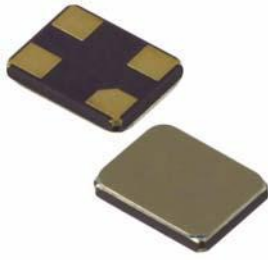


CRES SMD5032 QUARTZ CRYSTAL RESONATOR



4 Pad Version 5.0×3.2 mm

- „ ±10 ppm type available
- „ Excellent Reliability Performance
- „ EMI shielding possible by grounded lid
- „ Reflow soldering temperature: 260°C max
- „ Ceramic Seam Weld package



RoHS compliant

★ PARAMETERS

PARAMETERS	SPECIFICATION 规格
Frequency Range	8~54MHz
Operation Mode	Fundamental
Loading Capacitance	18pF Std. 8 to 32pF Series available
Drive Level	10 μ W (300 μ W Max)
Frequency Tolerance	±10ppm~±30ppm (at 25°C)
Equivalent Resistance	100 Ω Max
Frequency Stability	±10ppm~±50ppm
Operating Temp. Range:	-10~+60°C to -40~+85°C
Storage Temp. Range:	-55~+125°C

○ All specification subject change without notice.

★ FREQUENCY STABILITY VS. TEMPERATURE

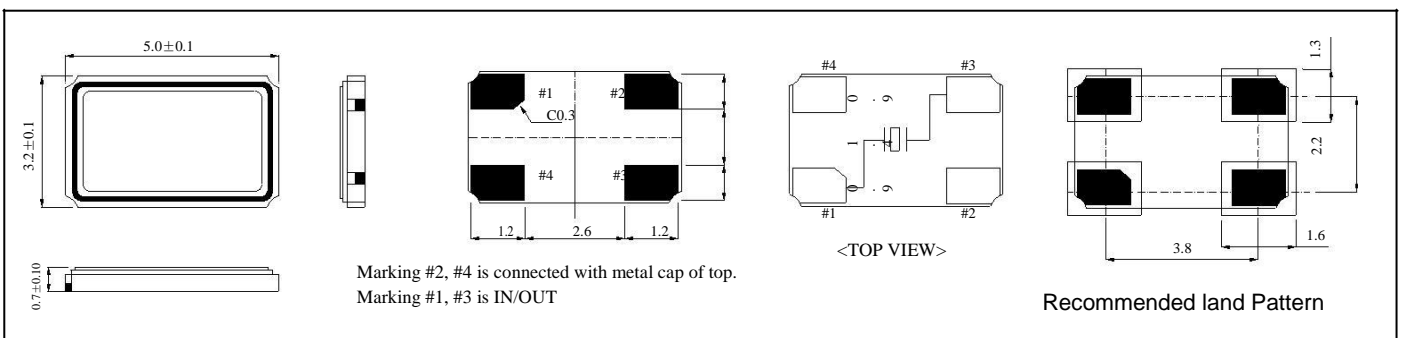
Operation Temperature Range	Frequency Stability				
	±10ppm	±15ppm	±20ppm	±30ppm	±50ppm
-10°C~+60°C	●	○	○	○	○
-20°C~+70°C	○	○	●	○	○
-40°C~+85°C		○	○	●	○

● standard ○ available

★ ESR (SERIES RESISTANCE RS)

Frequency	Vibration Mode	ESR
8-9.999MHz	AT CUT/FUND.	100Ω(MAX)
10-11.999MHz	AT CUT/FUND.	60Ω(MAX)
12-15.999MHz	AT CUT/FUND.	50Ω(MAX)
16-24.999MHz	AT CUT/FUND.	40Ω(MAX)
25-54.000MHz	AT CUT/FUND.	30Ω(MAX)

★ DIMENSIONS & LAND PATTERN LAYOUT (Unit: mm)

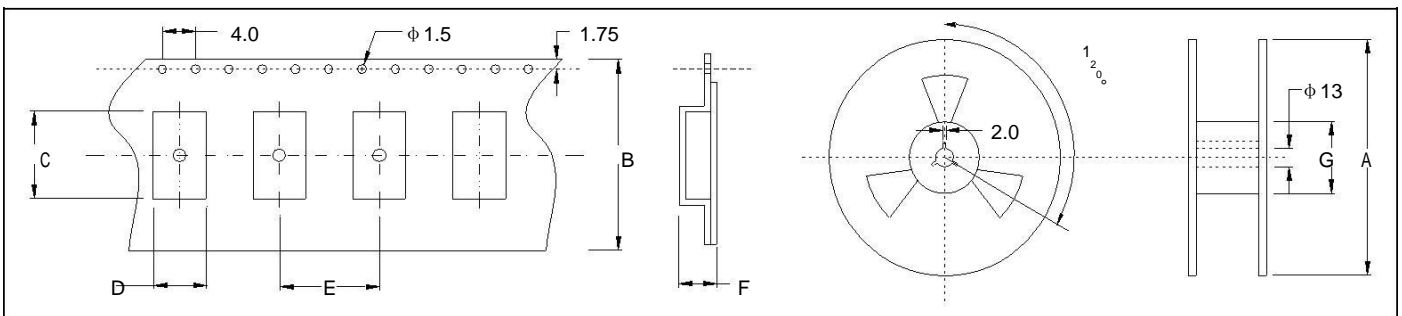


★ PART NUMBER GUIDE e.g. FTX12.000M18SM5S-20/20B (*SM5S=5.0×3.2 SMD SEAM TYPE)

Logo	Quartz Crystal Resonator	Frequency Hz	Load Capacitance pF	Package	Frequency Tolerance ppm	Frequency Stability ppm	Operating Temp. Range
FT	X	12.000M	18	SM5S	20	20	B

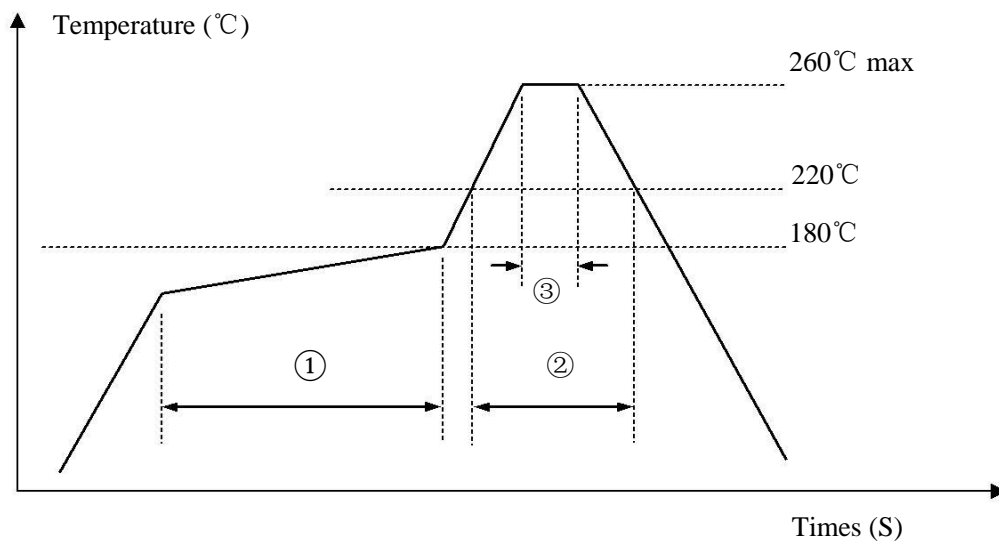
Definition	Description
Operating Temperature Range	A: -10~+60°C
	B: -20~+70°C
	C: -30~+80°C
	D: -40~+85°C
	E: Customer specified

★ TAPING SPECIFICATION (Unit: mm)



	A	B	C	D	E	F	G
SMD5032	178±2.0	12.0±0.3	5.40±0.10	3.60±0.10	8.0±0.1	1.1±0.1	60.5±1.0
1000 pcs per reel							

★ REFLOW SOLDERING PROFILE



Pb free reflow A	①	Preheat	160~180°C	120sec. max
	②	Primary heat	220°C	60sec. max
	③	Peak	260°C	10sec. max.

List of SMD Crystals		
Sr. No.	Frequency	smd5032
1	10MHz	√
2	11.0592MHz	√
3	12MHz	√
4	16MHz	√
5	18.432MHz	√
6	24MHz	√